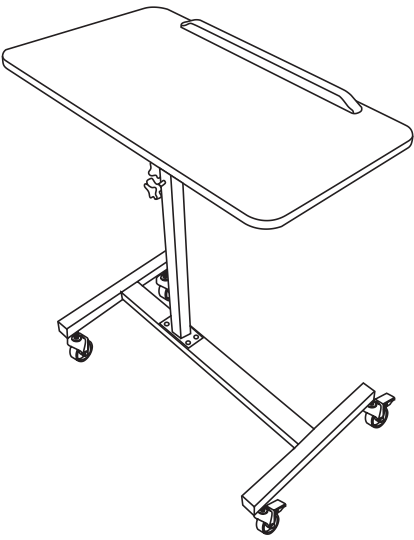
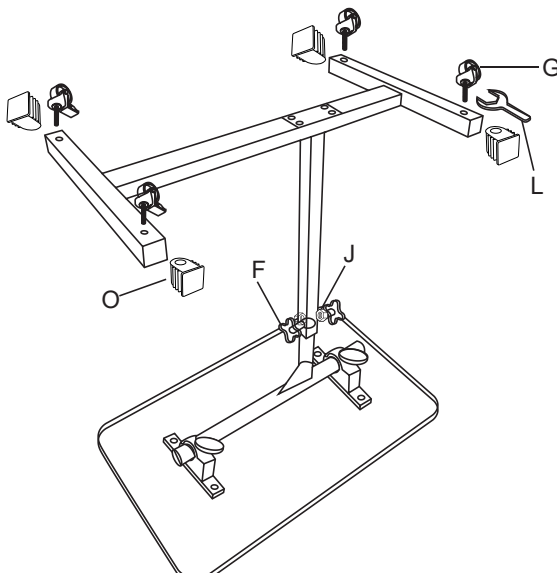
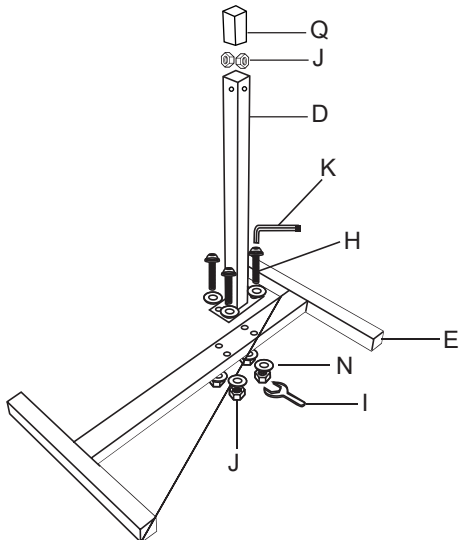
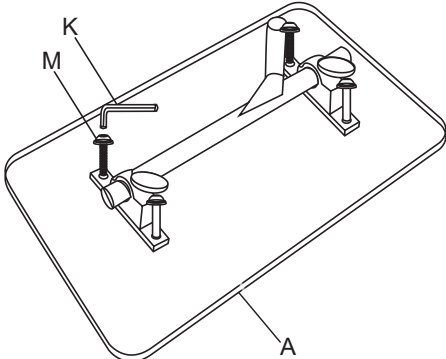
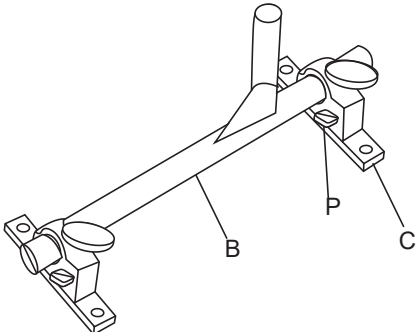


# ASSEMBLY INSTRUCTION



Ax1 	Bx1 	Cx2 
Dx1 	Ex1 	Fx2 
Gx4 	Hx4 	Ix1 
Jx6 	Kx1 	Lx1 
Mx4 	Nx8 	Ox4 
Qx1 		